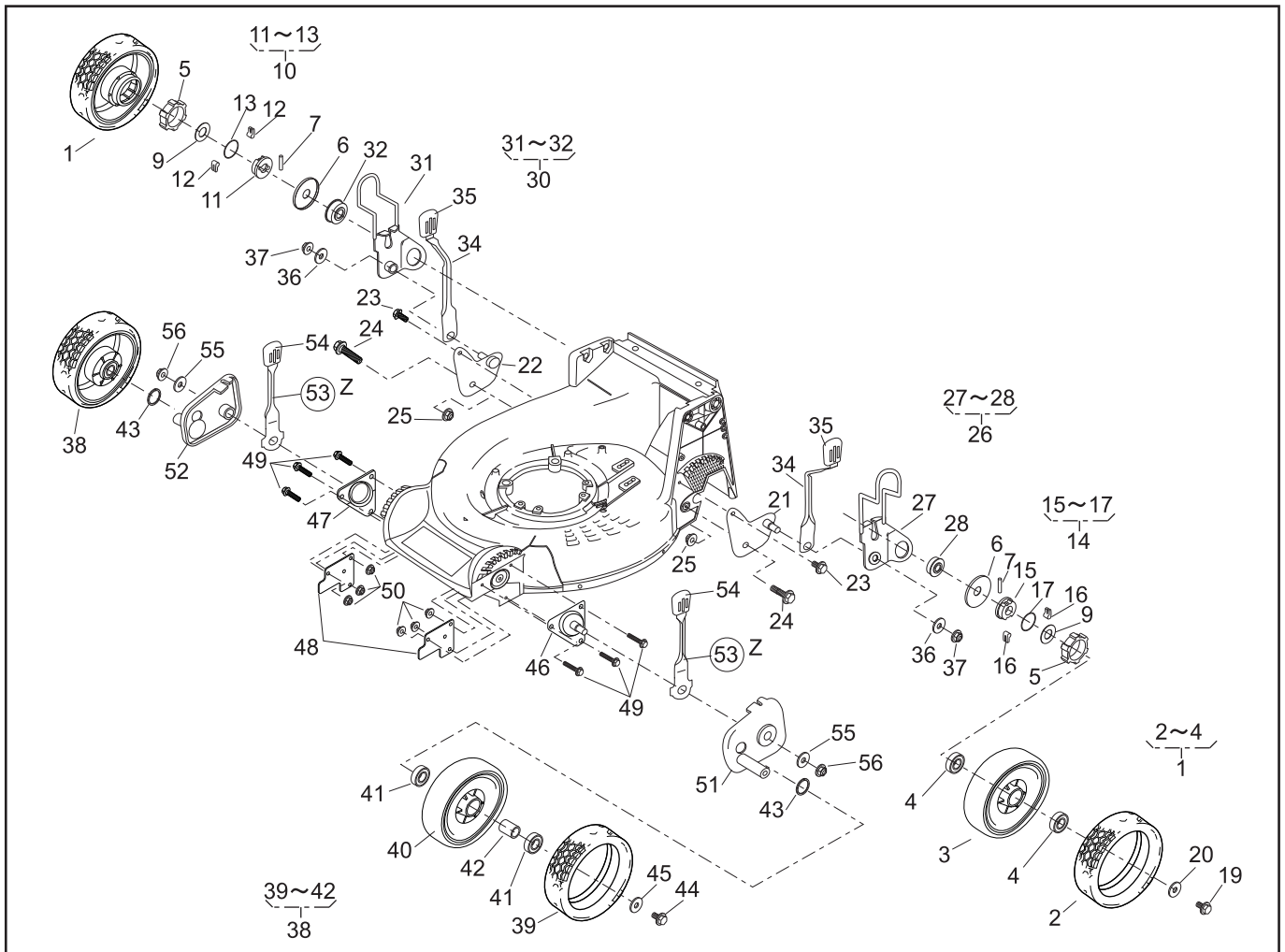


PARTS LIST

46014-224-01

NOTE

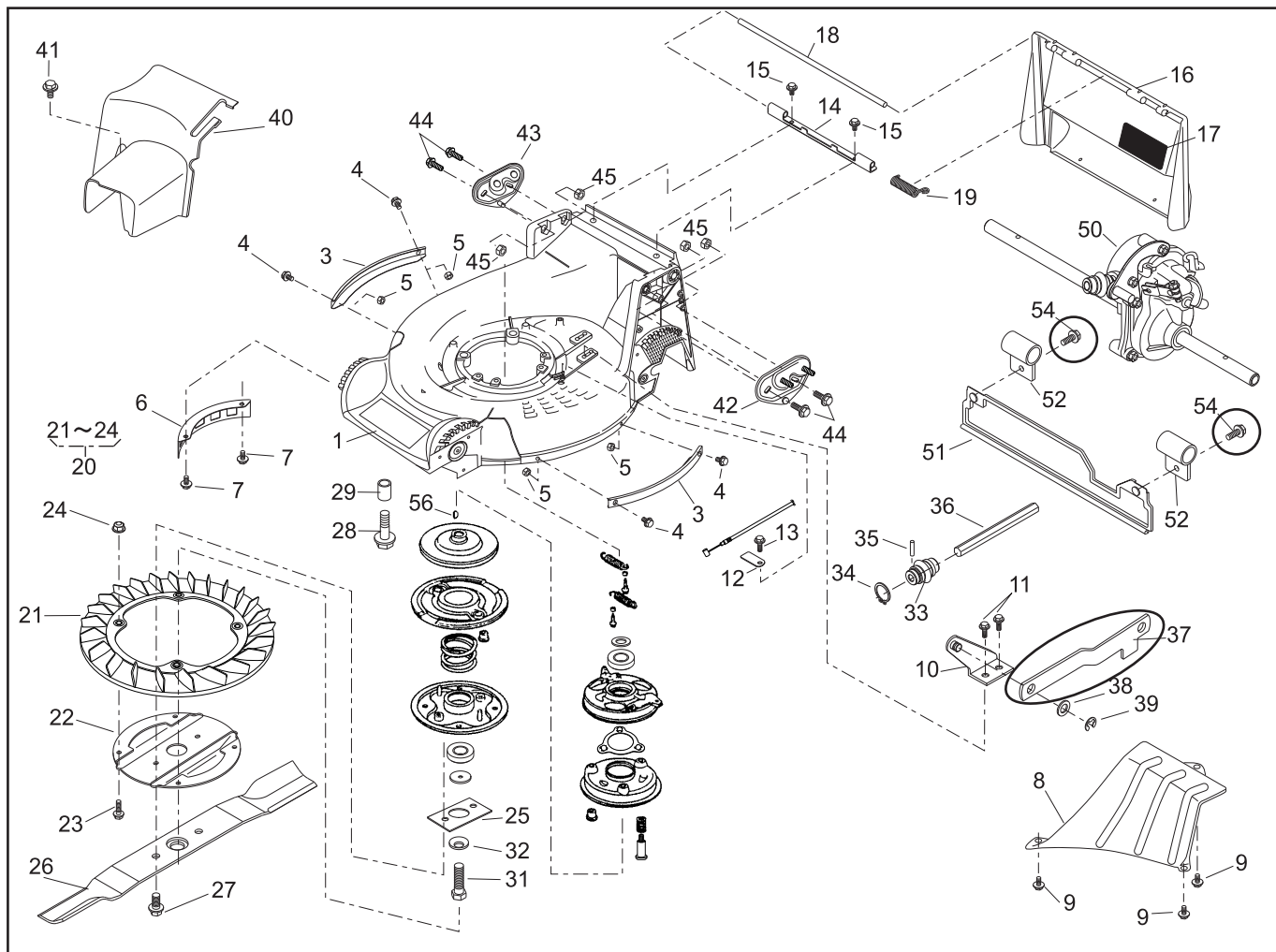
REF. No.	PARTS No.	PARTS NAME	8"AI-WHEEL		PRICE()	RECOMM.(%) Lot.100	Feb.07,2005	REMARKS
			Q'TY	INCLUDING				
1	71041 136	WHEEL ASSY(A.W.)	2					
2	91086 113	TIRE	2					
3		WHEEL	2					
4	916B 6002	BEARING	4					
5	11086 119	STOPPER	2					
6	61003 112	THRUST PLATE	2					
7	31034 137	PIN	2					
8								
9	68036 146	WASHER	2					
10	71158 101	RATCHET ASSY(R)	1					
11	11102 138	HOLDER	1					
12	31034 170	PIN	2					
13	68013 266	SPRING	1					
14	71158 102	RATCHET ASSY(L)	1					
15	11102 138	HOLDER	1					
16	31034 170	PIN	2					
17	68013 266	SPRING	1					
18								
19	31057 181	HEXAGON BOLT	2					
20	68036 101	WASHER	2					
21	11006 151	STAY C.P.(RL)	1					
22	11006 152	STAY C.P.(RR)	1					
23	342L 0612	FLANGE BOLT TAPPING	2					
24	31057 255	HEXAGON BOLT	2					
25	569L 0800	FLANGE NYLON NUT	2					
26	71122 112	ADJUSTER ASSY(L)	1					
27	11142 131	ADJUSTER(RL)	1					
28	945L 0349	BEARING	1					



PARTS LIST

46014-224-01

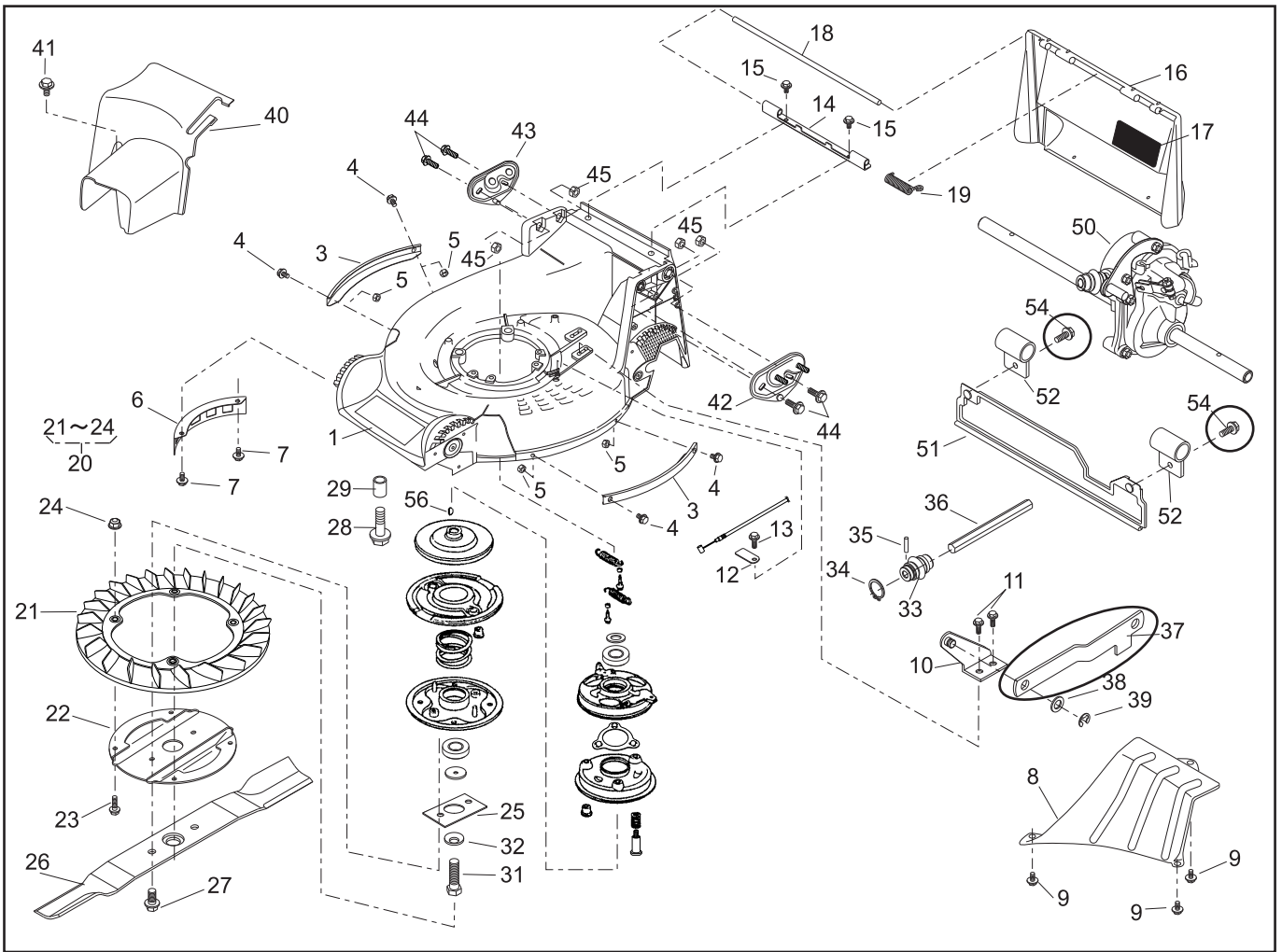
NOTE	REF. No.	PARTS No.	PARTS NAME	8"AI-WHEEL			2/2	Feb.07,2005	REMARKS
				Q'TY	PRICE()		RECOMM.(%) Lot.100		
				INCLUDING					
	29								
	30	71122 113	ADJUSTER ASSY(R)	1					
	31	11142 132	ADJUSTER(RR)	1					
	32	945L 0349	BEARING	1					
	33								
	34	11150 105 09	ADJUST LEVER	2					
	35	36061 121	KNOB	2					
	36	613L 0800	WASHER	2					
	37	569L 0800	FLANGE NYLON NUT	2					
	38	71041 135	WHEEL ASSY(A.W.)	2					
	39	91086 113	TIRE	2					
	40		WHEEL	2					
	41	916B 6002	BEARING	4					
	42	11083 332	COLLAR	2					
	43	51113 119	RING	2					
	44	31057 181	HEXAGON BOLT	2					
	45	68036 101	WASHER	2					
	46	11006 153	STAY C.P.(FL)	1					
	47	11006 154	STAY C.P.(FR)	1					
	48	11113 409	STAY	2					
	49	335L 0625	FLANGE BOLT	6					
	50	569L 0600	FLANGE NYLON NUT	6					
	51	11142 129	ADJUSTER(FL)	1					
	52	11142 130	ADJUSTER(FR)	1					
A/Z	53	11150 109 09	ADJUST LEVER	2					
	54	36061 121	KNOB	2					
	55	613L 0800	WASHER	2					
	56	569L 0800	FLANGE NYLON NUT	2					



PARTS LIST

46014-234-03

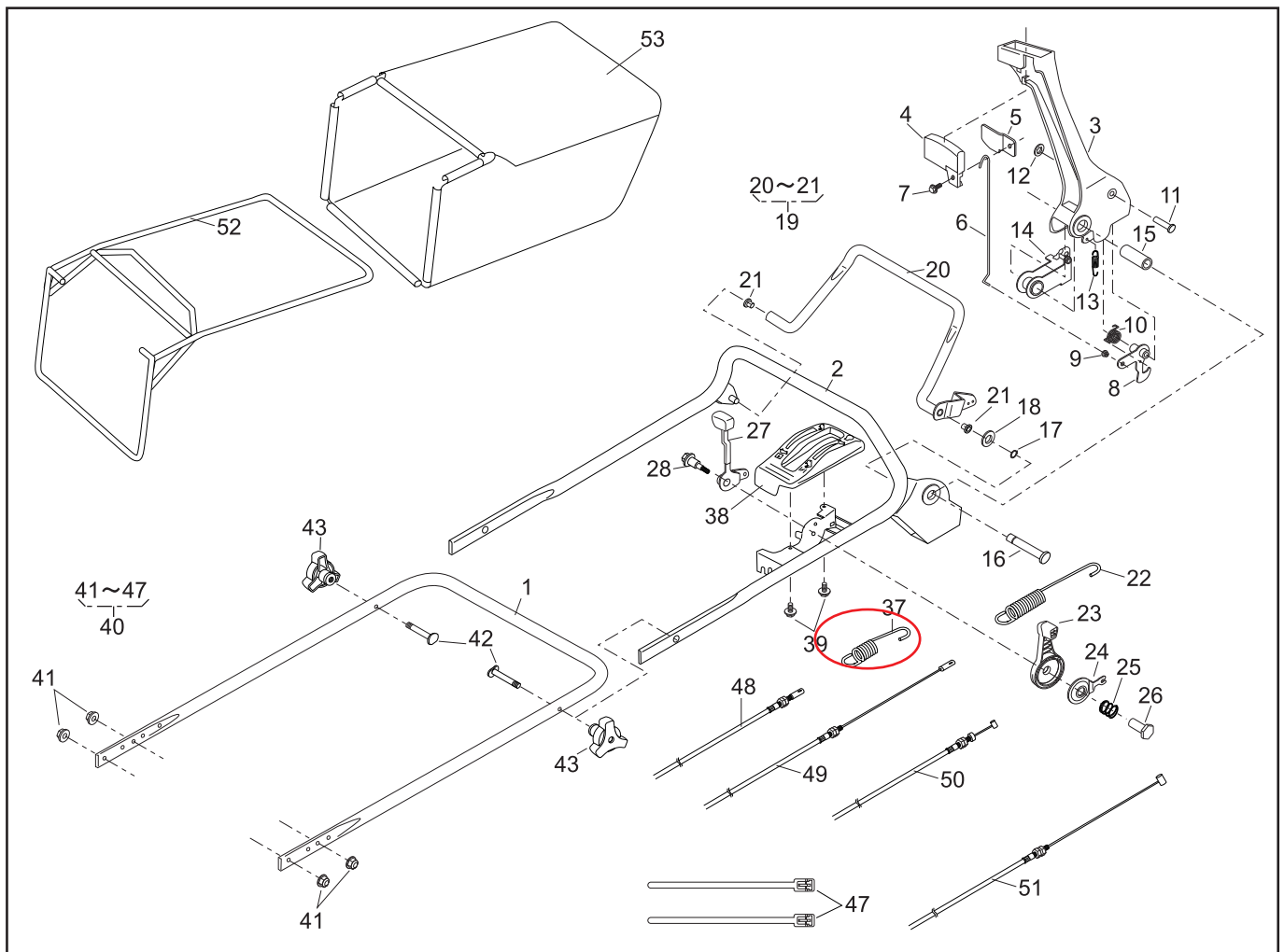
NOTE	REF. No.	PARTS No.	PARTS NAME	GRASS-CUTTING			1/2	Feb.09,2005	REMARKS
				Q'TY	PRICE()	RECOMM.(%)			
				INCLUDING		Lot.100			
	1	51043 147 42	HOUSING	1					
	2								
	3	51090 117 09	PROTECTOR	2					
	4	335L 0616	FLANGE BOLT	4					
	5	512L 0600	HEXAGON NUT	4					
F	6	36065 180	COVER	1					
F	7	342L 0612	FLANGE TAPPING BOLT	2					
F	8	36065 436	COVER	1					
F	9	342L 0612	FLANGE TAPPING BOLT	3					
F	10	11006 155	STAY C.P.	1					
F	11	342L 0612	FLANGE TAPPING BOLT	2					
F	12	11113 407	STAY	1					
F	13	342L 0612	FLANGE TAPPING BOLT	1					
F	14	11113 292	STAY	1					
F	15	342L 0612	FLANGE TAPPING BOLT	2					
	16	36068 196 46	GUARD	1					
	17	36080 149	RUBBER SHEET	1					
	18	64014 324	SHAFT	1					
	19	68013 336	SPRING	1					
F	20	71082 111	FAN ASS'Y	1					
	21	51125 103	FAN	1					
	22	11102 151	HOLDER	1					
	23	31062 169	PRE-COAT LOCK BOLT	4					
	24	579L 0600	FLANGE NUT	4					
	25	61024 208	SPACER	1					
	26	91014 159	BLADE	1					
	27	31057 197	HEXAGON BOLT	2					
	28	31057 243	HEXAGON BOLT	4					



PARTS LIST

46014-234-03

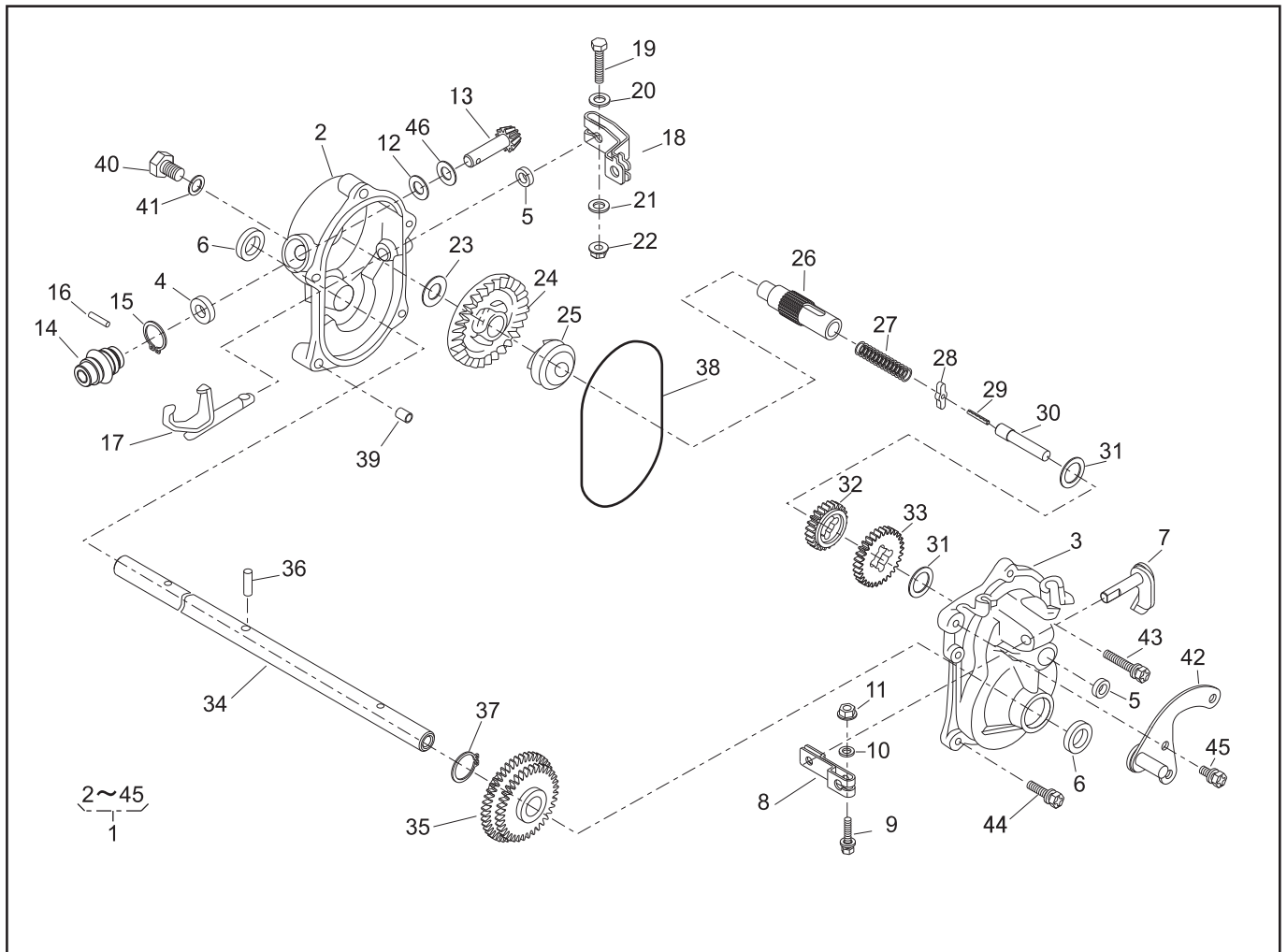
NOTE	REF. No.	PARTS No.	PARTS NAME	GRASS-CUTTING			2/2	Feb.09,2005
				Q'TY	PRICE()	RECOMM.(%)	REMARKS	
								INCLUDING
	29	61024 142	SPACER	3				
F	30	71067 106	BRAKE ASS'Y	1				
	31	31057 196	HEXAGON BOLT	1				
F	32	671V 1000	SPRING WASHER	1				
	33	91097 101	UNIVERSAL JOINT	1				
F	34	812V 2000	C-SNAP RING	1				
	35	717B 0418	PARALLEL PIN	1				
	36	64014 358	SHAFT	1				
A/Z	37	91049 135	CONNECTOR	1				
	38	68036 280	WASHER	1				
	39	816V 0800	E-SNAP RING	1				
	40	36065 438	COVER	1				
F	41	342L 0616	FLANGE TAPPING BOLT	1				
	42	51116 149	HANDLE BRACKET(L)	1				
	43	51116 150	HANDLE BRACKET(R)	1				
	44	31057 255	HEXAGON BOLT	4				
	45	512L 0800	HEXAGON NUT	4				
	46							
	47							
	48							
	49							
F	50	71008 275	GEAR CASE ASS'Y	1				
	51	36046 118	SAFETY GUARD	1				
	52	11012 126	HANGER BAND	2				
	53							
A/Z	54	335L 0616	FLANGE BOLT	2				
	55	122039	ENGINE:HONDA GXV160H2-SFL1-R280	1				
	56		WOODRUFF KEY	1				



PARTS LIST

46014-248-01

NOTE	REF. No.	PARTS No.	PARTS NAME	HANDLE		PRICE()	1/2 RECOMM.(%) Lot.100	Feb.08,2005	REMARKS
				Q'TY	INCLUDING				
	1	51027 254	HANDLE	1					
	2	51027 255	HANDLE	1					
	3	11095 172	LEVER (BBC)	1					
	4	36110 102	BUTTON	1					
	5	11049 109	SLIDE PLATE	1					
	6	64014 336	SHAFT	1					
	7	335N 0612	FLANGE BOLT	1					
	8	71203 135	ARM C.P.	1					
	9	76007 183	BUSH	1					
	10	68013 371	SPRING	1					
	11	31056 127	GIB-HEADED PIN	1					
	12	576V 0600	PUSH NUT	1					
	13	68013 372	SPRING	1					
	14	11109 111	LINK	1					
	15	61023 190	SLEEVE	1					
	16	64014 337	SHAFT	1					
F	17	812V 0800	C-SNAP RING	1					
F	18	613L 0800	PLAINE WASHER	1					
F	19	71161 114 09	LEVER ASS'Y	1					
	20		LEVER		1				
	21	76007 131	BUSH		2				
	22	68013 374	SPRING	1					
	23	91010 169	THROTTLE LEVER (GXV120/GXV160)	1					
	24	61003 113	THRUST PLATE	1					
	25	68013 356	SPRING	1					
F	26	31058 168	HEXAGON NUT	1					
	27	11095 117	LEVER	1					
	28	31062 109	PRE-COAT LOCK BOLT	1					

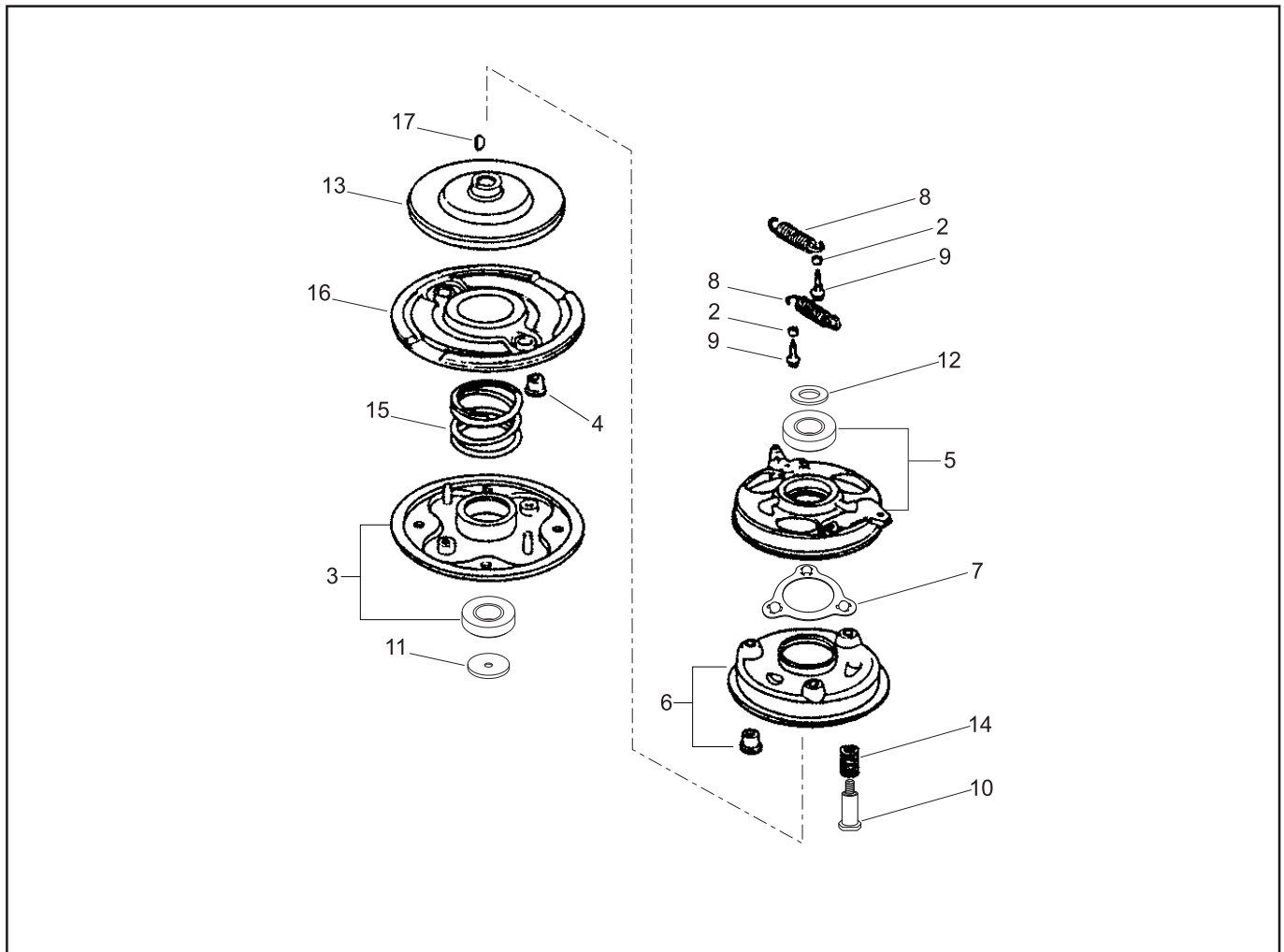


PARTS LIST

GEAR CASE ASSY (71008-275)

46014-262-03

NOTE	REF. No.	PARTS No.	PARTS NAME	GEAR CASE			1/2	Feb.07,2005
				Q'TY	PRICE()	RECOMM.(%)	REMARKS	
								INCLUDING
	1	71008 275	GEAR CASE ASSY	1			-	
	2	51001 195	GEAR CASE	1			3	
	3	51001 196	GEAR CASE	1			3	
	4	61002 161	OIL SEAL	1			5	SD 10 20 5
	5	61002 162	OIL SEAL	2			5	SD 8 14 4
	6	61002 163	OIL SEAL	2			5	SD 15 24 5
F	7	64024 104	SHIFTER SHAFT	1			3	
	8	11104 119	ARM	1			3	
F	9	320L 0525	(+)HEXAGON BOLT(W/PW)	1			3	M5 × 25
	10	611L 0500	PLAIN WASHER	1			3	M5
	11	571L 0500	FLANGE NUT	1			3	M5
	12	61003 109	THRUST PLATE	1			5	
	13	78003 130	PINION	1			3	
	14	91097 101	UNIVERSAL JOINT	1			3	
F	15	812V 2000	C-SNAP RING		1		1	φ 20
	16	717B 0418	PARALLEL PIN		1		3	φ 4 × 18
E	17	11097 106	SHIFTER FORK	1			3	
	18	11104 137	ARM	1			3	
F	19	311M 0630	HEXAGON BOLT	1			3	M6 × 30
	20	611L 0600	PLAIN WASHER	1			3	M6
	21	613L 0600	PLAIN WASHER	1			3	M6
	22	571L 0600	FLANGE NUT	1			3	M6
	23	61024 117	SPACER	1			5	
	24	78001 162	BEVEL GEAR	1			3	
	25	11129 107	CLUTCH	1			3	
	26	64014 236	SHAFT	1			3	
	27	68013 262	SPRING	1			3	



PARTS LIST

BRAKE ASSY (71067-106)

46014-266-01

NOTE	REF. No.	PARTS No.	PARTS NAME	BBC		1/1		REMARKS
				Q'TY INCLUDING	PRICE()	RECOMM.(%) Lot.100	Feb.09,2005	
F	1	71067 106	BRAKE ASS'Y	1		-		
	2	19512 883 000	FAN COLLAR	2		-		
F	3	72600 VA4 010	HOLDER ASS'Y	1		3		
F	4	72613 VA4 000	BUSH, BLADE HOLDER	2		5		
F	5	75090 VA4 030	CONTROL ASS'Y	1		10		
	6	75100 VA4 010	BRAKE C.P.	1		3		
	7	75110 VA4 000	BALL RETAINER C.P.	1		10		
F	8	75182 VA3 J00	SPRING, CLUTCH RETURN	2		5		
I/W	9	90014 952 000	FLANGE BOLT	2		3		6 x 14
F/W	10	90021 VA4 000	BOLT, SPECIAL	3		3		6 mm
W	11	90409 952 000	WASHER	1		3		10 mm
	12	90501 952 010	THRUST WASHER	1		3		
F	13	75130 VA4 000	BRAKE DISK	1		3		
F	14	75132 VA4 000	SPRING, BRAKE HOLDER	3		5		
F	15	75183 VA3 J00	SPRING, CLUTCH	1		3		
	16	75150 VA3 J01	DRIVEN DISK C.P.	1		3		
F	17	94401 16150	WOODRUFF KEY	1		15		
	18							
	19							
	20							
	21							
	22							
	23							
	24							
	25							
	26							
	27							
	28							